

GREEN

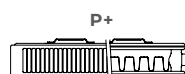
SERIES



**GREEN
COMPACT**

50 Δ t

(75/65/20°C)

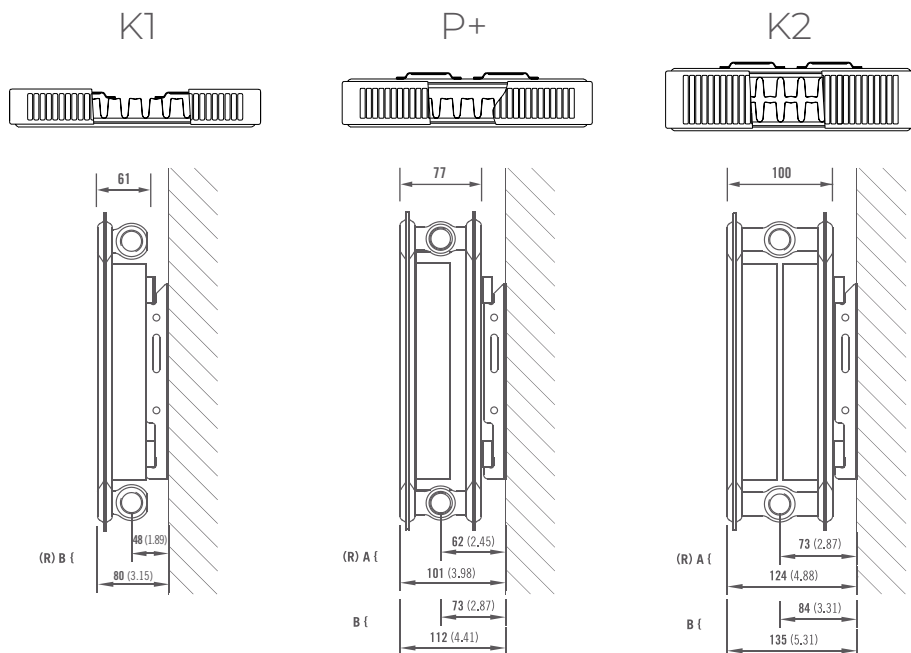


Height mm	Length mm	K1			P+			K2		
		Stelrad UIN	Heat output Watts	Heat output Btu/hr	Stelrad UIN	Heat output Watts	Heat output Btu/hr	Stelrad UIN	Heat output Watts	Heat output Btu/hr
300	1000	-	-	-	-	-	-	5032210	982	3352
	1500	-	-	-	-	-	-	5032215	1473	5027
450	400	5041104	302	1031	-	-	-	-	-	-
	500	5041105	378	1290	-	-	-	-	-	-
	600	5041106	454	1550	-	-	-	-	-	-
	800	5041108	605	2065	-	-	-	5042208	1097	3744
	900	-	-	-	-	-	-	5042209	1234	4212
	1000	5041110	756	2580	5042110	1055	3601	5042210	1371	4679
	1100	-	-	-	-	-	-	5042211	1508	5147
	1200	5041112	907	3096	5042112	1266	4321	5042212	1645	5614
	1400	5041114	1058	3611	-	-	-	5042214	1919	6550
	1600	-	-	-	-	-	-	5042216	2194	7488
1800	-	-	-	-	-	-	5042218	2468	8423	
600	400	-	392	1338	5062104	538	1836	5062204	693	2365
	500	-	490	1672	5062105	673	2297	5062205	866	2956
	600	-	588	2007	5062106	807	2754	5062206	1039	3546
	700	-	686	2341	5062107	942	3215	5062207	1212	4137
	800	-	784	2676	5062108	1076	3672	5062208	1386	4730
	900	-	882	3010	5062109	1211	4133	5062209	1559	5321
	1000	-	980	3345	5062110	1345	4590	5062210	1732	5911
	1100	-	1078	3679	5062111	1480	5051	5062211	1905	6502
	1200	-	1176	4014	5062112	1614	5509	5062212	2078	7092
	1400	-	1372	4683	5062114	1883	6427	5062214	2425	8277
1600	-	1568	5352	5062116	2152	7345	5062216	2771	9457	
1800	-	1764	6021	-	-	-	5062218	3118	10642	
700	500	5071105	559	1908	-	-	-	5072205	981	3348
	600	5071106	670	2287	-	-	-	5072206	1177	4017
	700	-	-	-	-	-	-	5072207	1373	4686
	800	-	-	-	-	-	-	5072208	1569	5355

Δ t50 is the UK's industry standard for heating outputs, which has an operating temperature of 75/65/20°C.

WALL MOUNTING AND LUG INFORMATION

All dimensions in mm. Inches in brackets.



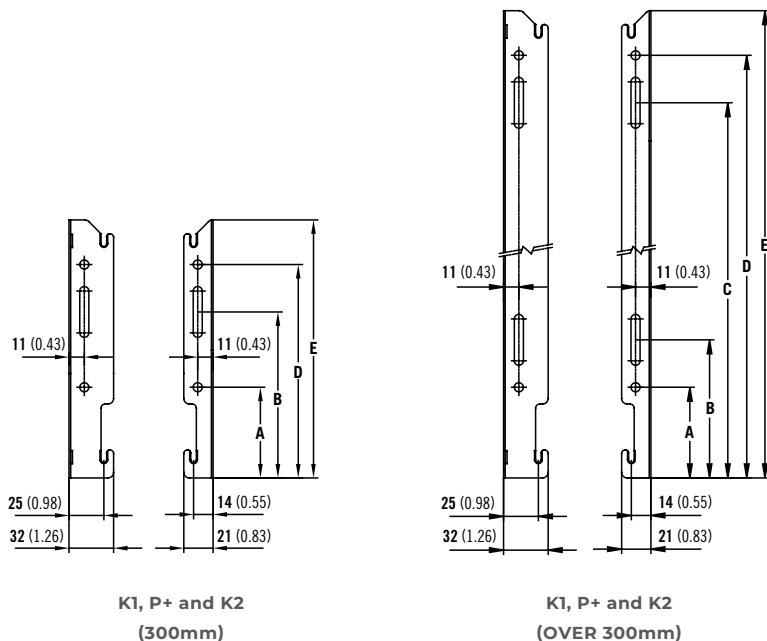
Compact bracket position. A = Closest to wall / B = Furthest from wall / (R) = Recommended mounting position

K1 long only - position B. P+ and K2 can be position A or B.

MOUNTING BRACKETS

All dimensions in mm. Inches in brackets.

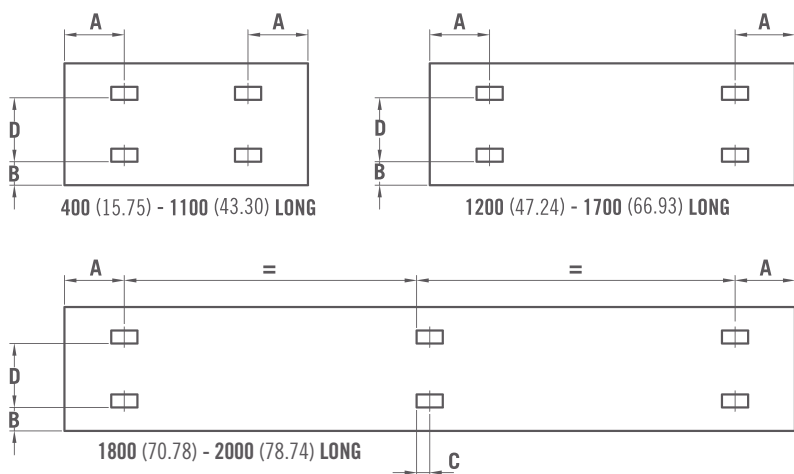
Floor mounting brackets available.



K1, P+ AND K2 (300mm)

Dimensions	mm	inches	mm	inches	mm	inches	mm	inches
Height	300	11.81	450	17.72	600	23.62	700	27.56
A	65	2.56	65	2.56	65	2.56	65	2.56
B	119	4.69	99	3.90	99	3.90	99	3.90
C	-	-	269	10.59	419	16.50	519	20.43
D	153	6.02	303	11.93	453	17.83	553	21.77
E	185	7.28	335	13.19	485	19.09	585	23.03

K1, P+ AND K2 LUG POSITION



PANEL HEIGHT		D	
mm	in	mm	in
300	11.81	155	6.10
450	17.72	305	12.01
600	23.62	455	17.91
700	27.56	555	21.95

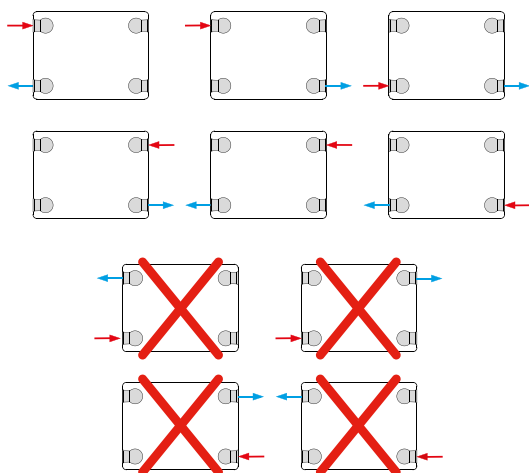
Dimensions	K1		P+ & K2	
	mm	in	mm	in
A 400mm	117	4.61	133	5.24
A 500 - 2000mm	150	5.91	133	5.24
B 400 - 2000mm	60	2.36	60	2.36
C 1800 - 2000mm	17	0.67	L/2	L/2

L/2 is the length divided by two.

CONNECTIONS

Each radiator comes with ½" inlet connections as standard.

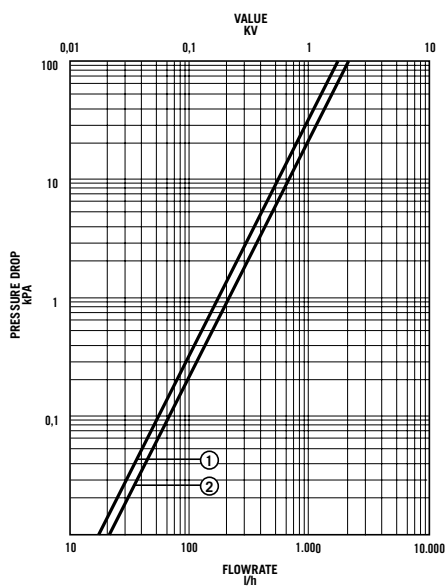
COMPACT PIPING OPTIONS



EN 442 CERTIFICATION DATA - CETIAT TESTED IN ACCORDANCE WITH BS EN 442

Type	K1				P+		K2			
	300	450	600	700	450	600	300	450	600	700
Height	300	450	600	700	450	600	300	450	600	700
W/m at 75/65/20	494	716	923	1052	1055	1345	982	1371	1732	1961
n-coefficients	1.27	1.28	1.29	1.31	1.33	1.34	1.33	1.33	1.33	1.34
Heated surface area (m ² /m)	1.75	2.82	3.87	4.58	3.84	5.24	3.51	5.62	7.74	9.15
Weight (kg/m)	8.16	12.80	17.45	20.05	22.04	29.8	16.8	25.9	35	40.53
Water contents (l/m)	1.88	2.59	3.30	3.80	5.15	6.60	3.70	5.15	6.60	7.63
Wall to tap centre (mm)	48	48	48	48	62	62	73	73	73	73

PRESSURE DROP



- ① Type 11 (K1)
- ② Type 21 (P+), 22 (K2)