

THE GAP

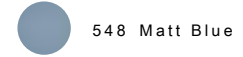
Vanity unit with 2 drawers and basin



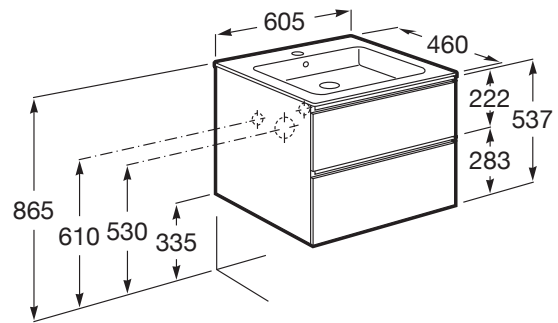
DIMENSIONS

Length	605 mm
Width	460 mm
Height	537 mm

COLOURS AND FINISHES



TECHNICAL DRAWINGS



FEATURES

Base unit / Closing and opening system: Soft close drawers

Base unit / Door type: Sliding

Base unit / Doors and drawers combination: 2 drawers

Base unit / Internal dividers

Base unit / Structure: Drawers

Basin / Integrated shelf

Basin / Shelf position: On both sides

Basin / Taphole configuration: 1 taphole in the middle

Basin Position: Central

Basin shape: Square

Dimensions / Basin and base unit / Height (mm): 537

Dimensions / Basin and base unit / Length (mm): 605

Dimensions / Basin and base unit / Width (mm): 460

Installation type: Wall-hung, Wall-hung with optional legs

Material / Base unit: Chipboard

Material / Basin: Vitreous china

Tap installation: On the basin

Towel rail position: Left

COMPATIBLE WITH



Lateral towel rail for base unit

816760001



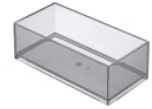
Set of 2 furniture hooks

816761001



Organizing box

816819409



Organizing box

816820409



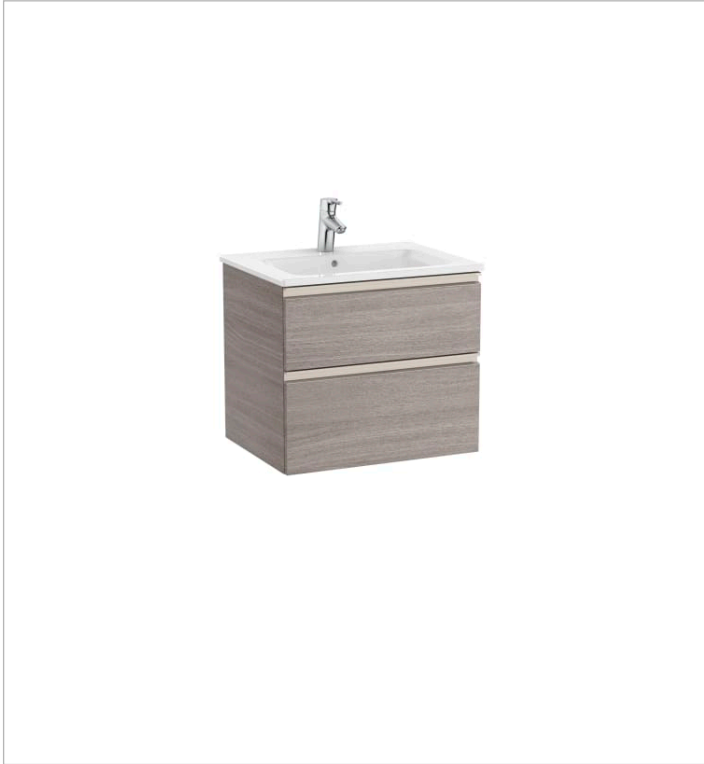
Set of two optional legs -
Aluminium finish

816826339



Set of two optional legs -
Nickel finish

816826458





The Gap

The Gap collection provides a wide range of modern design options, including WCs, basins and bathroom vanity units to optimise any space. The extensive furniture range also includes perfect solutions for compact bathrooms as well base units for on countertop basins.



INSTALLATION AND USER MANUALS



[User manual](#)